

AVAILABLE



(239) 333-4800

7680 CAMBRIDGE MANOR PLACE

FOR LEASE

Move In Ready Floor Plans



- **Zoning: C1- Commercial**
- **Size: 17,576+/- Sq. Ft. Building on .53 acres**
- **1,200 & 3,600 Sq. Ft. Units Available**
- **Units can be Combined**
- **Underground Parking -Elevator -Great for hot or rainy days!**
- **Between Summerlin & US 41 Great Access!**
- **Great incentives on Leases Terms!**

Contact: Tim Colen

Phone: (239) 333-4800
tcolen@crefl.com

Renee Ward
rward@crefl.com

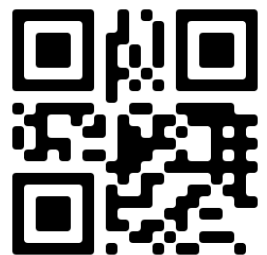
www.CREFL.com

Lease Rate Starting at:

\$9.85 Sq. Ft.

(as-is condition)

(Modified Gross)

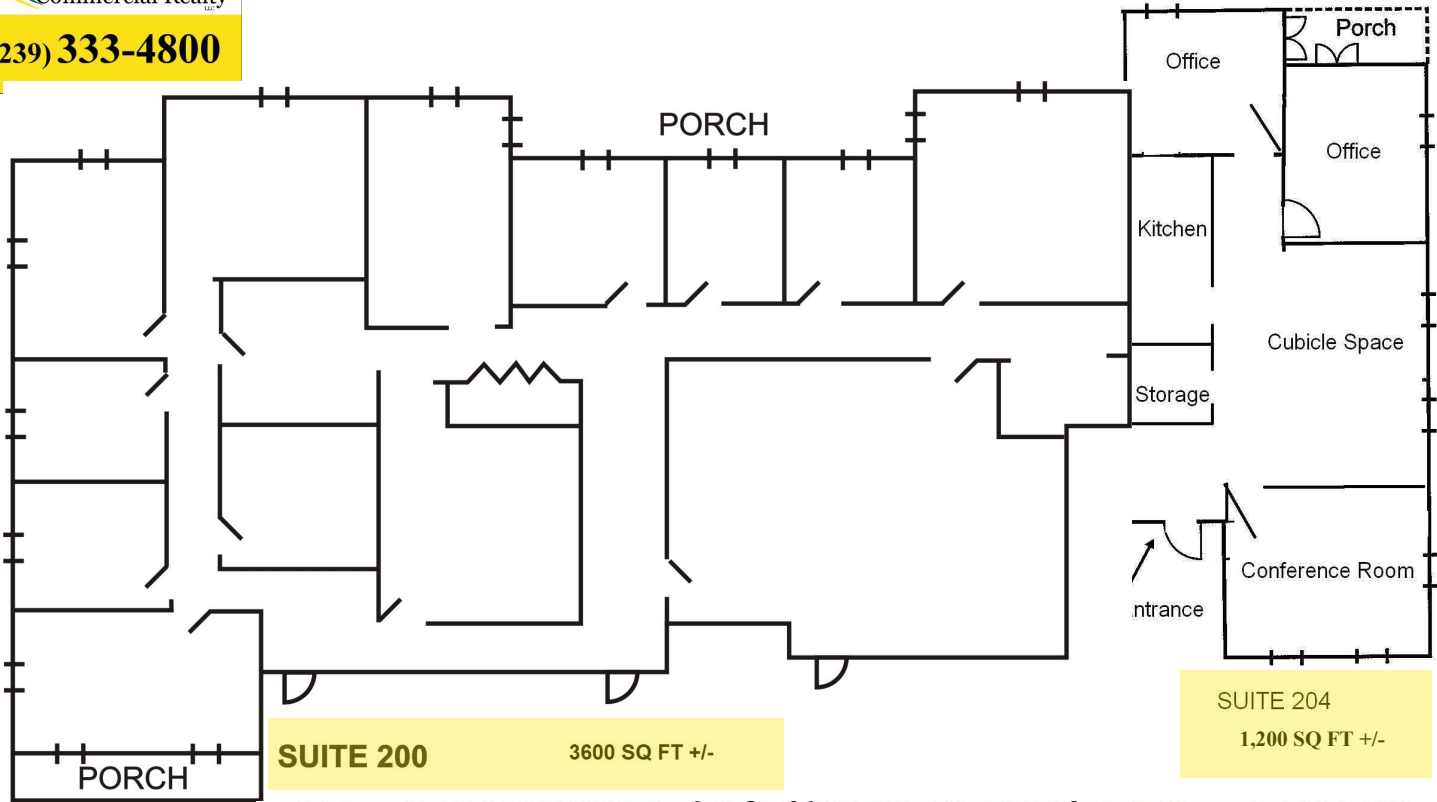


AVAILABLE

For Additional Information Visit www.Crefl.com



(239) 333-4800



Aerial View



One Source Commercial Realty 4575 Via Royale, Suite 109, Ft. Myers, FL 33919

[Www.crefl.com](http://www.crefl.com)