

**AVAILABLE**



**(239) 333-4800**

**7680 CAMBRIDGE MANOR PLACE  
FOR LEASE  
Move In Ready Floor Plans**



**7680 Cambridge Manor PL., FT. Myers FL**

- **Zoning: C1- Commercial**
- **Size: 17,576± Sq. Ft. Building on .53 acres**
- **750 & 1250 sq ft available**
- **Open Floor Plans**
- **Ample Parking with Underground Parking**
- **Elevator from Parking-Great for hot or rainy days!**
- **Between Summerlin & US 41 Great Access!**
- **Lease Price:**

**Starting At:**

**\$12.00** psf

**“as-is”**

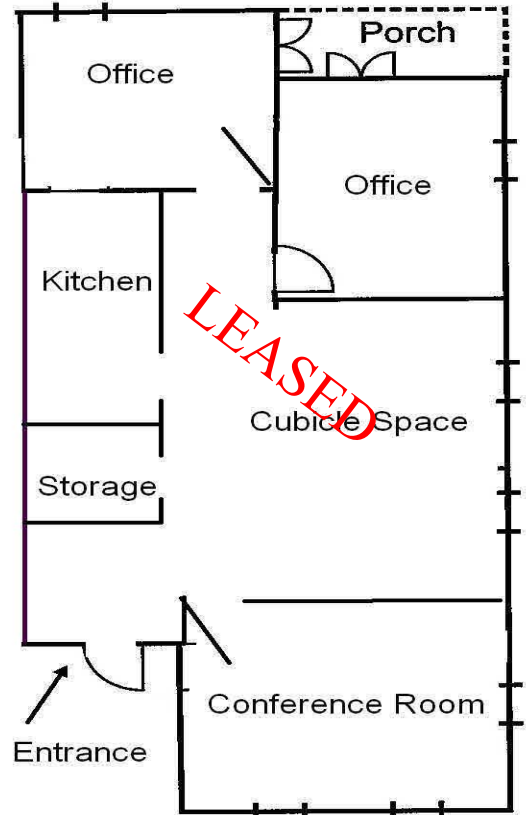
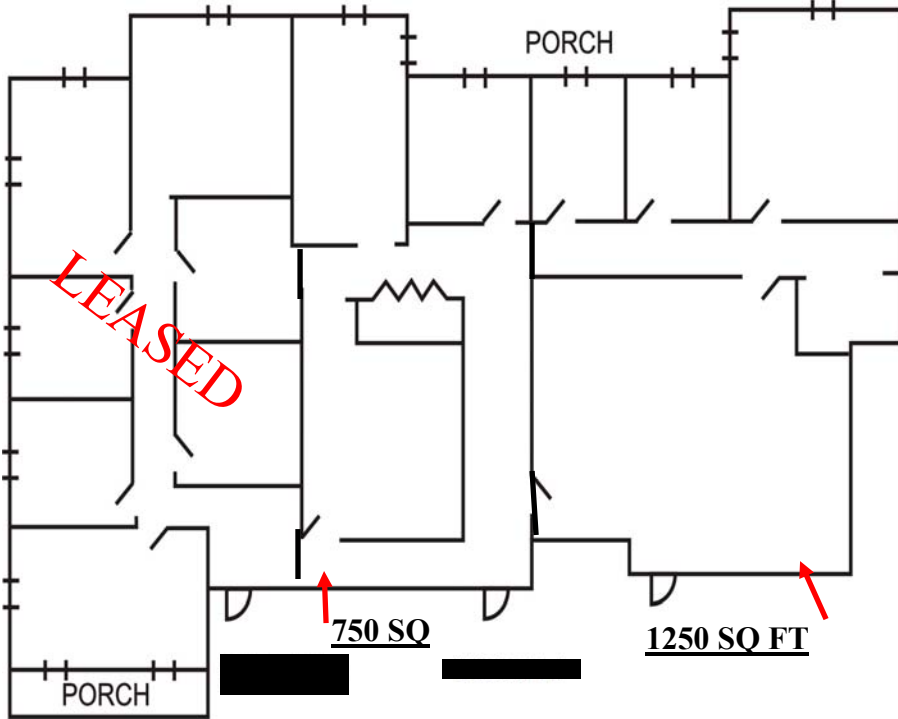
**CONTACT:  
Tim Colen  
239-333-4800  
tcolen@crefl.com  
www.crefl.com**

AVAILABLE

WWW.CREFL.COM



(239) 333-4800



SUITE 204



CONTACT:

One Source Commercial Realty, LLC / Tim Colen / T-239.333.4800 / F-239.333.4802 tcolen@crefl.com